

USER MANUAL

SUNBURST[®] CMh

CERAMIC METAL HALIDE LIGHTING SYSTEM



SBCMh31531K - 120V (3100K)
SBCMh31542K - 120V (4200K)
SBCMh315231K - 277V (3100K)
SBCMh315242K - 277V (4200K)

OVERVIEW

Thank you for your purchase of a Sunburst Ceramic Metal Halide All-In-One Lighting System. The Sunburst CMh is an efficient electronic ballast and reflector in one compact package (includes CMh lamp). It delivers more usable light energy for maximum plant performance and operates at cooler, quieter levels than any other compact system on the market.

This Sunburst model accepts only the 315W ceramic metal halide lamp (type T12 38 mm PGZX18 base).

For information on additional Sunburst products please visit Hydrofarm.com.

TABLE OF CONTENTS

OVERVIEW	2
SPECIFICATIONS	2
TOOLS NEEDED - (FOR HANGING)	2
PARTS LIST - (WHAT'S IN THE BOX)	3
INSTALLATION	4
HANGING THE FIXTURE	5
SPECIAL NOTES, INSTRUCTIONS AND OPTIONS	6
RESIDENTIAL VOLTAGES - SINGLE PHASE POWER	6
COMMERCIAL VOLTAGES - THREE PHASE POWER	6
KEY FEATURES 120/240V	7
KEY FEATURES 277V	7
WARRANTY	8

SPECIFICATIONS

Model	Watts	Main Voltage	I _{max}	Power Factor	Ignitor Voltage	THD	CF	ta	tc
120-240V									
SBCMh31531K SBCMh31542K	315W	120-240V 60Hz	3.0A/1.5A	> 0.98	3-5 kV	< 8%	< 16	40°C/104°F	70°C/158°F
277V									
SBCMh315231K SBCMh315242K	315W	277V 60Hz	1.3A	> 0.97	3-5 kV	< 8%	< 16	40°C/104°F	70°C/158°F

TOOLS NEEDED - (FOR HANGING)



LEVEL



LADDER

PARTS LIST - (WHAT'S IN THE BOX)

PARTS LIST

- A** - Sunburst CMh 315W fixture – (1)
- B** - Reflector hanging hooks – (2)
- C** - 8.0' (2.44 m) grounded power cord – (1)
 - 120V IEC connected (240V cord sold separately)
 - 277V hard-wired with L7-15P Plug
- D** - Lamp – (1) - varies per model



120V IEC (240V IEC cord sold separately - BACD6)

C



277V - NEMA L7-15P



INSTALLATION

1. Carefully remove all of the components from the box and the protective cardboard to ensure that your Hydrofarm Sunburst box includes all of the parts listed in the "PARTS LIST" section.
2. Inspect the included components for any damage, missing parts, or other concerns. Contact your local retailer in order to get a replacement or new part if required.
3. If there is a protective film on the reflector surfaces, be sure to remove it completely prior to turning on the system.
4. Remove the lamp from its packaging and install it carefully into the socket. Take care to insert the semi-circular pin on the lamp into the matching semi-circular hole on the socket. Making sure the lamp is fully seated in the socket, turn the lamp a quarter turn. This will lock the lamp in place.
5. It is best to wear gloves when handling the lamp in order to avoid getting skin oils on the lamp's envelope.



Lamp Base



Lamp Socket



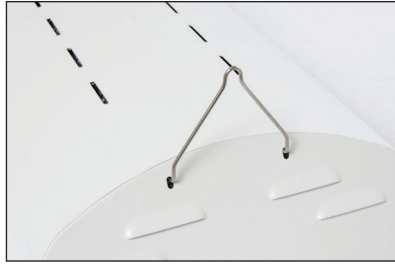
Lamp Installation

HANGING THE FIXTURE

1. Make sure your unit is unplugged.
2. Use the included V-hangers by placing the two hooked ends of the hanger into the two holes in the top of the reflector housing (hook ends facing inward).
3. Hang the fixture from a strong cord or chain from both ends (we recommend our Light Riser System, item code LULIFT, for hanging the Sunburst CMh). If setting up in a room, make sure you have hooks screwed solidly into the studs in the ceiling. If you cannot locate the studs, insert expansion anchors (wall anchors) into the ceiling. The anchors, as well as the hooks used in them, should be rated to hold at least 25 lbs each. If using a grow tent, you will need to simply hang the unit from a top bar in the tent's framing.
4. Use a cable tie, twine, or similar method to secure the power cord to the hanging cord/chain so that the power cord's weight doesn't tilt the fixture.



V-Hook Installation



Hang with a chain or ...

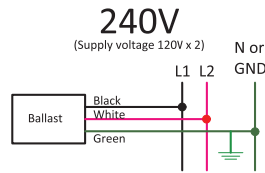
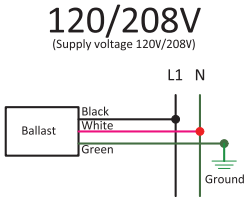


Hang with a rope ratchet

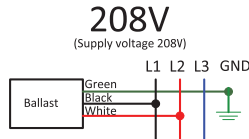
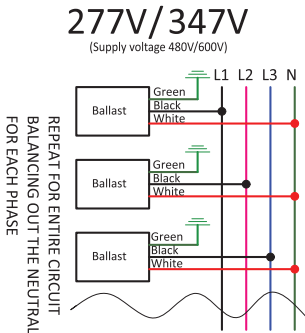
SPECIAL NOTES, INSTRUCTIONS AND OPTIONS

- These instructions cover Sunburst CMh systems with item codes SBCMH31531K (120V/240V, 3100K lamp); SBCMH31542K (120V/240V, 4200K lamp); SBCMH315231K (277V, 3100K lamp); and SBCMH315242K (277V, 4200K lamp). The 120V/240V models are intended only for 120V or 240V, 50/60Hz operation and the 277V models are intended only for 277V, 60 Hz operation.
- Avoid direct contact with water and liquids to prevent electric shock or internal damage to the unit.
- The lamp may require 10-30 minutes cooling time before restarting.
- After you plug in the Sunburst CMh, the lamp may require several minutes to reach its full brightness.
- In the event of a momentary power interruption, be aware that the lamp will not restart immediately. This is normal, and protects the lamp and ballast.
- Some variation in the color of light emitted by the lamp is not unusual, especially in the first 100 hours of operation.
- Never pull the cord to unplug the fixture—pull the plug only.
- Avoid scratching the lamp, subjecting it to undue pressure, or getting it wet when it is hot—these actions may cause the lamp to break.
- In the event of lamp breakage, immediately unplug the reflector to prevent exposure to ultraviolet energy, which may be harmful to eyes and skin.
- Keep room temperature below 95°F, with adequate air circulation by fan in the growing area.
- Two lamp color temperature options are available: 3100K and 4200K, one of which you will have chosen when purchasing your system.

RESIDENTIAL VOLTAGES - SINGLE PHASE POWER



COMMERCIAL VOLTAGES - THREE PHASE POWER



KEY FEATURES 120/240V

95% Premium Reflective
European Hammertone

Vented Design for
Maximum Heat Dissipation



Dual Input Voltage 120-240V

KEY FEATURES 277V

95% Premium Reflective
European Hammertone

Vented Design for
Maximum Heat Dissipation



Hard-Wired 277V Input

WARRANTY



LIMITED WARRANTY

Hydrofarm warrants the **Sunburst CMH Lighting System** to be free from defects in materials and workmanship. The warranty term is for 2 years on the fixture (1 year on the lamp) beginning on the date of purchase. Misuse, abuse, or failure to follow instructions is not covered under this warranty. Hydrofarm's warranty liability extends only to the replacement cost of the product. Hydrofarm will not be liable for any consequential, indirect, or incidental damages of any kind, including lost revenues, lost profits, or other losses in connection with the product. Some states do not allow limitation on how long an implied warranty lasts or the exclusion of incidental or consequential damages, so the above limitations or exclusions may not apply to you. Hydrofarm will, at our discretion, repair or replace the **Sunburst CMH Lighting System** covered under this warranty if it is returned to the original place of purchase. To request warranty service, please return the **Sunburst CMH Lighting System**, with original sales receipt and original packaging, to your place of purchase. The purchase date is based on your original sales receipt.

SUNBURST[®] CMh

Thank you for choosing Sunburst by Hydrofarm. For further information about Hydrofarm products, videos, and technical information, please visit Hydrofarm.com



Get Connected with the Hydrofarm Community:



Like us on Facebook, follow us on Twitter, and check out **Hydrofarmtv** on YouTube and Instagram!

Sunburst CMh Lighting System Instructions revised - September 18, 2017 8:42 AM



Hydrofarm.com